



ZULU10® shown

ZULU®/CANYON™

BINOCULARS

OPERATOR'S MANUAL

SIGSAUER



TABLE OF CONTENTS

Introduction	3
Package Contents	4
Shared features	4
Product Identification	7
General operation	8
Setting the diopter adjustment.	8
Cleaning	12
Specifications	13
SIG SAUER® Electro-Optics Infinite Guarantee ®/Limited Lifetime Warranty	16

Scan the QR code to visit sigsauer.com where you will find additional information about SIG SAUER products, SIG SAUER Academy and the SIG Experience Center, Special Programs, and additional support.



INTRODUCTION

The ZULU10® line of binoculars utilizes category-leading features like high quality glass, fully multi-coated lenses and phase coated prisms to provide maximum brightness, contrast and optimal resolution. The rugged design pairs well with the lightweight construction to offer a high level of durability that is not reflected in weight. Fully sealed barrels are nitrogen filled for waterproof and fog-proof performance.

The ZULU® line of binoculars are covered by the SIG SAUER Electro-Optics Infinite Guarantee®.



PACKAGE CONTENTS

- Binocular
- Eyepiece and Objective Lens Covers
- Deluxe Neck/Shoulder Strap
- Premium Padded Case
- Quick Start Guide

SHARED FEATURES

- HDX™ ED High Definition & HT High Transmittance glass
- SPECTRACOAT™ - Highly efficient, ultra-wide broadband, anti-reflection lens coatings
- LENSARMOR™ Abrasion-resistant lens coatings
- LENS Shields™ Oleophobic coating that sheds water & oil.
- Nitrogen filled for waterproof and fog proof performance (IPX-7 rated for complete water immersion up to 1 meter)
- Multi-position eye-cups

ZULU10®

- Closed Bridge Design
- Phase coated Abbe Koenig prism
- HDX™ (ED High Definition & HT High Transmittance) glass
- SPECTRACOAT™ - Highly efficient, ultra-wide broadband, anti-reflection lens coatings
- LENSARMOR™ Abrasion-resistant lens coatings
- LENS Shields™ Oleophobic coating that sheds water & oil.
- Locking diopter
- Magnesium housing
- Tripod mount compatible

ZULU8®

- Closed Bridge Design
- High reflectance phase coated roof prism
- HDX™ (ED High Definition & HT High Transmittance) glass
- SPECTRACOAT™ - Highly efficient, ultra-wide broadband, anti-reflection lens coatings
- LENSARMOR™ Abrasion-resistant lens coatings
- LENS Shields™ Oleophobic coating that sheds water & oil.
- Tripod mount compatible

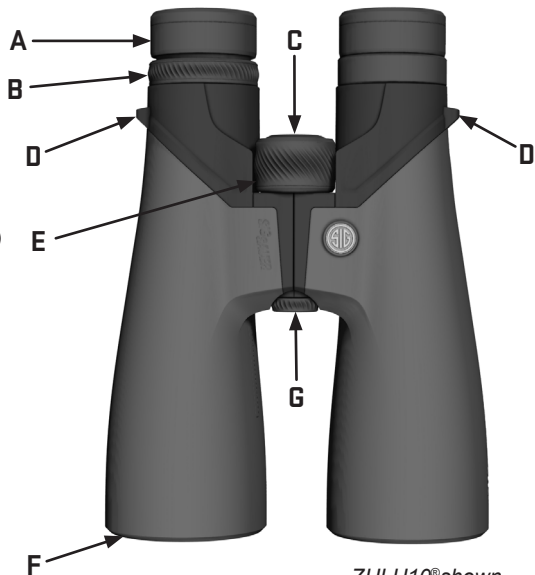


CANYON™ HD

- Phase coated Roof Prisms
- HD High Definition Glass
- Tripod mount compatible

PRODUCT IDENTIFICATION

- A. Eye Lens
- B. Diopter Ring
- C. Data plate (model, magnification, FOV)
- D. Strap Attachment
- E. Focus Wheel
- F. Objective Lens
- G. Tripod Adapter Cover



ZULU10[®]shown



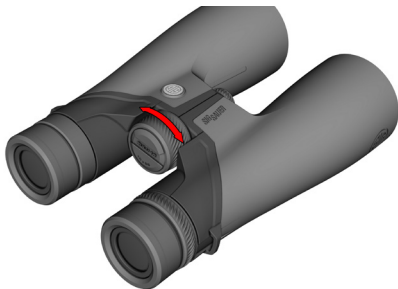
GENERAL OPERATION

SETTING THE DIOPTER ADJUSTMENT

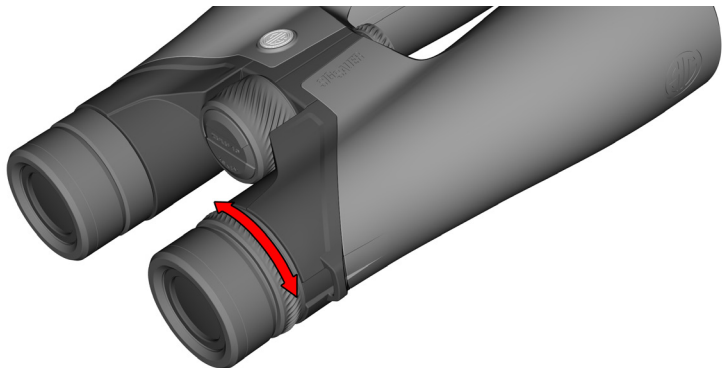
Setting the diopter adjustment of your binocular properly is very important, as properly adjusted binoculars will prevent eye strain and provide you with a crisp, sharp image.

To set the diopter adjustment:

1. View an object about 100 yards in the distance.
2. Close your right eye.
3. Adjust the center focus wheel (located between the two barrels) until the image presented to your left eye is clear and sharp.



4. Close your left eye.
5. If your binocular has a locking diopter ring, pull the diopter ring out to adjust.
6. Adjust the diopter adjustment dial located around the eyepiece, until the image presented to your right eye is clear and sharp.
7. If your binocular has a locking diopter ring, push the diopter ring in to lock it in place

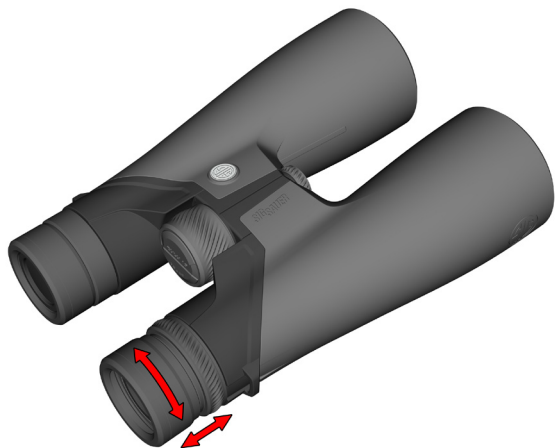


Your binocular is now focused for your eyesight. To make any adjustments in the field, simply turn the center focus dial while viewing through both barrels.



Twist-up Eyecups

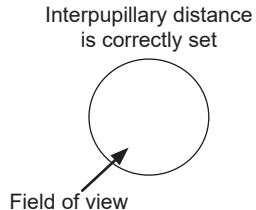
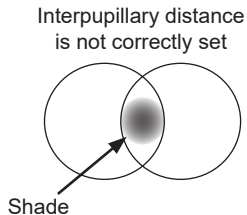
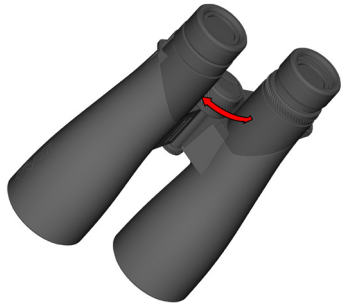
SIG SAUER binoculars feature eyecups you can twist in and out to accommodate the eye relief required when wearing eyeglasses.



Interpupillary distance of binoculars

Interpupillary distance means interocular distances between the right and left eyes.

1. Set the distance between the center of the right and left ocular lenses of the binoculars to your Interpupillary distance.
2. Look at a distant object to make an adjustment while folding back the main body of the binoculars.
3. Your Interpupillary distance is correctly set when the field of view can be seen by both eyes as a single circle (see illustration).





CLEANING

CAUTION

ALWAYS BLOW DUST OR DEBRIS FROM BINOCULAR LENSES PRIOR TO USING ANY CLOTH OR LENS PEN. FAILURE TO DO THIS MAY RESULT IN SCRATCHING OF THE BINOCULAR LENSES.

- You can clean the fully armored body by simply wiping off any accumulated dirt or dust.
- Clean the lenses as you would a camera lens.
- Use a standard lens brush to remove dust and then pure alcohol, high-grade glass cleaner, or pure water on a cotton swab.

PAGE INTENTIONALLY LEFT BLANK



SPECIFICATIONS

PRODUCT DETAILS	CANYON HD	ZULU8
Model/Magnification	10x42 mm HD	10x42 mm HDX
Eye Relief	16 mm	17 mm
Exit Pupil	4.2 mm	4.2 mm
Linear FOV FT at 1000 Yards	315 ft	341 ft
Linear FOV M at 1000 Meters	96.012 m	103.93 m
Objective Clear Aperture	42 mm	42 mm
Angular FOV	6.0 degrees	6.5 degrees
Close Focus Distance	8.0 ft	6.5 ft
Interpupillary Distance	58 mm - 73 mm	58 mm - 73 mm
Diopter Range	+/- 4	+/- 4
Weight	1.6 lbs / 23.06 oz	1.56 lbs / 24.96 oz
Length	5.98 in. / 151.89 mm	5.82 in. / 148 mm

PRODUCT DETAILS		ZULU10		
Model/Magnification	10x42 mm HDX	12x50 mm HDX	15x56 mm HDX	
Eye Relief	16.7 mm	16.5 mm	17.8 mm	
Exit Pupil	4.2 mm	4.16 mm	3.37 mm	
Linear FOV FT at 1000 Yards	346 ft	288.75 ft	236.25 ft	
Linear FOV M at 1000 Meters	105.46 m	88.01 m	105.46 m	
Objective Clear Aperture	42 mm	50 mm	56 mm	
Angular FOV	6.6 degrees	5.5 degrees	4.5 degrees	
Close Focus Distance	6.5 ft	8.2 ft	9.8 ft	
Interpupillary Distance	56 - 75 mm	56 - 75 mm	56 - 75 mm	
Diopter Range	+/- 4	+/- 4	+/- 4	
Weight	2.6 lbs /32.96 oz	2.31 lbs / 36.96 oz	2.67 lbs / 42.72 oz	
Length	7.8 in. / 182.37 mm	7.80 /198.12 mm	8.67 in. / 220.22 mm	



SIG SAUER® ELECTRO-OPTICS INFINITE GUARANTEE®/LIMITED LIFETIME WARRANTY



SIG SAUER® has manufactured the most rugged, dependable, high-performance firearms for more than two centuries. Our heritage of design, engineering, and precision-manufactured quality predates the existence of any other optics company worldwide. We understand the importance of quality in the line of fire, at the shooting range or on your next hunt. SIG SAUER Electro-Optics had to earn the right to wear that badge and the Infinite Guarantee has your back, forever. Period.

We will repair or replace your SIG SAUER product in the event it becomes damaged or defective, at no charge to you. If we cannot repair your product, we will replace it with a product in perfect working order of equal or better physical condition.

SIG SAUER® Infinite Guarantee®

- Unlimited Lifetime Guarantee
- Fully Transferable
- No Warranty Card Required
- No Receipt Required
- No Time Limit Applies
- No Charge

Please note that our Infinite Guarantee excludes coverage for intentional damage, misuse, cosmetic damage that does not affect the performance of the optic, loss, theft, or unauthorized repair or modification. Excludes electronic and Tritium components.

Customers seeking warranty coverage must first obtain a Return Merchandise Authorization (RMA) by contacting SIG SAUER Customer Service, and return the product unloaded and freight prepaid.

ANY WARRANTIES IMPLIED BY LAW, INCLUDING ANY IMPLIED WARRANTIES OF MERCHANTABILITY OR FITNESS FOR A PARTICULAR PURPOSE, ARE EXPRESSLY DISCLAIMED. REPAIR, ALTERATION, OR REPLACEMENT AS PROVIDED HEREIN IS YOUR EXCLUSIVE REMEDY FOR ANY DEFECTIVE PRODUCT. IN NO EVENT SHALL SIG SAUER OR ANY COMPANY AFFILIATED WITH SIG SAUER BE LIABLE FOR ANY SPECIAL, INCIDENTAL, OR CONSEQUENTIAL DAMAGES OF ANY KIND ARISING OUT OF THE PURCHASE OR USE OF THIS PRODUCT, WHETHER BASED UPON CONTRACT, TORT, STATUTE, OR OTHERWISE. Some states do not allow the exclusion or limitation of implied warranties, or the exclusion or limitation of incidental or consequential damages, so some or all of the above limitations or exclusions may not apply to you. This warranty gives you specific legal rights, and you may also have other rights which vary from State to State.

THIS WARRANTY APPLIES TO COMMERCIAL CUSTOMERS ONLY, AND DOES NOT APPLY TO GOVERNMENT, MILITARY, LAW ENFORCEMENT, OR NON-US CUSTOMERS. NON-US COMMERCIAL CUSTOMERS MUST PURCHASE PRODUCT THROUGH AN AUTHORIZED SIG SAUER DEALER WITHIN THEIR COUNTRY OF RESIDENCE FOR THIS WARRANTY TO APPLY.



NOTES:

NOTES:

SIG SAUER®

sigsauer.com

FOR PRODUCT SERVICE ON THIS MODEL, PLEASE CALL 603-610-3000

12100 SW Tualatin Rd, Tualatin, OR 97062

All trademarks, service marks, trade names, trade dress, product names and logos appearing in this manual are the property of their respective owners.
No trademark or service mark appearing in this manual may be used without written consent of the mark's owner.